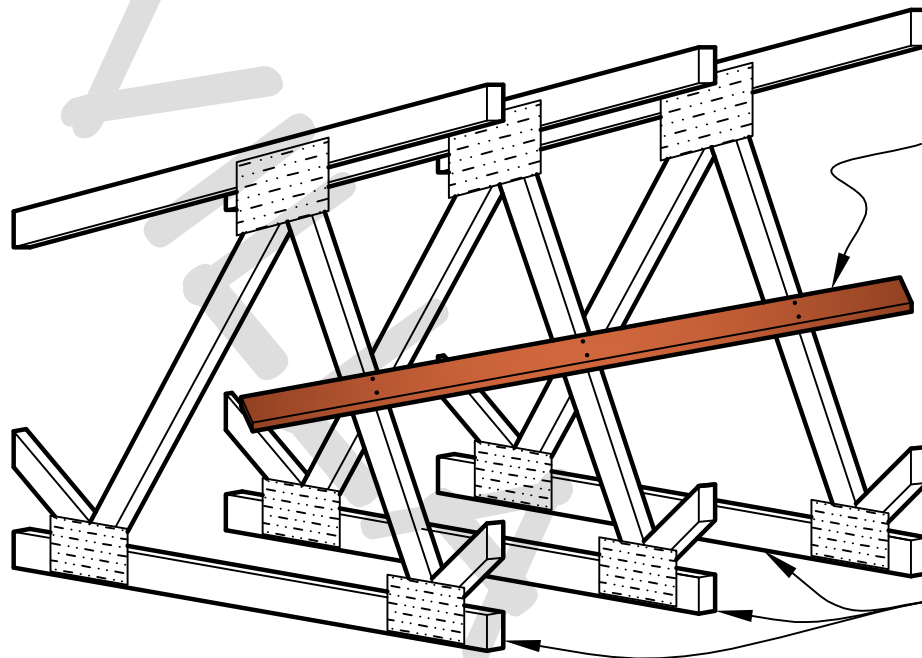


## LATERAL BRACE



1x4 OR 2x4 LATERAL  
BRACE W/ 2- 3 x .148"  
NAILS PER TRUSS.

MIN. 3 REPETITIVE  
TRUSSES. REFER TO  
ENGINEERING.

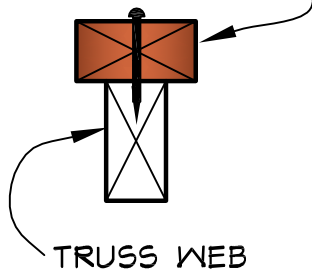
TRUSSES  
@ 24" O.C.

### NOTE:

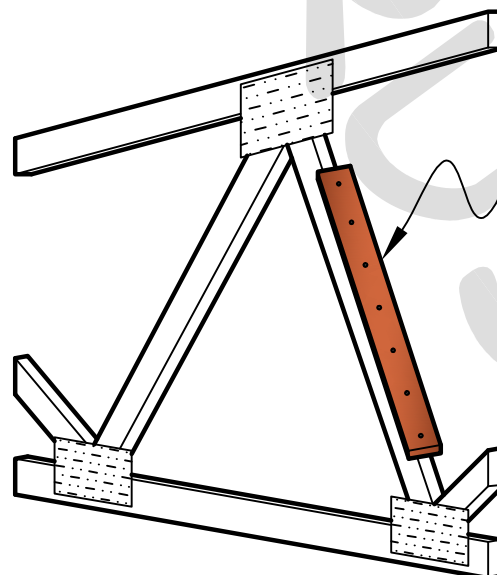
RESTRAINT REQ'D. @ EACH END OF BRACE & @ 20'-0" INTERVALS. REFER TO BCSI-B3 SUMMARY SHEET FOR PERMANENT RESTRAINT/BRACING OF CHORD & WEB MEMBERS.

## ALT. LATERAL BRACE

2x4 'T' BRACE  
w/ 2- 3 x .148"  
NAILS @ 6" O.C.



### WEB SECTION



2x4 T BRACE  
W/ 3x .148" NAILS  
AT 6" O.C.

BRACE MUST  
BE 80% OF  
WEB LENGTH.

FOR USE W/  
2 OR LESS  
REPETITIVE  
TRUSSES.