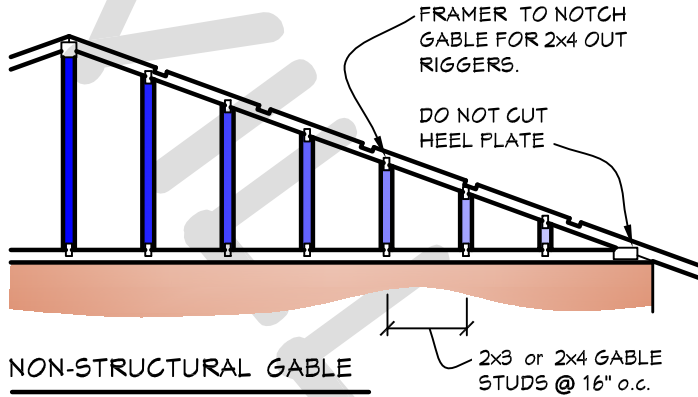
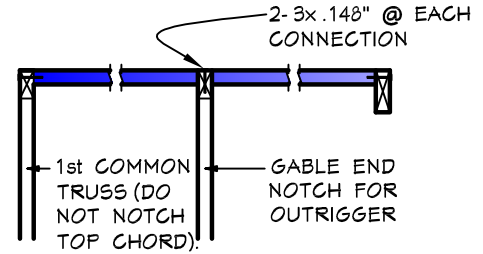


GABLE DETAIL

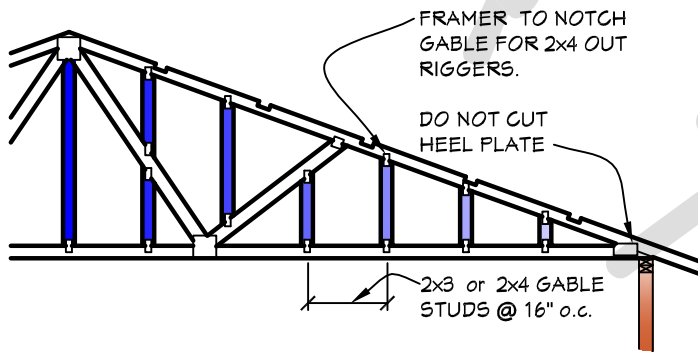


NON-STRUCTURAL GABLE

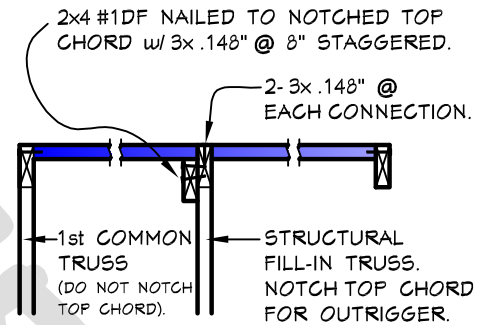
BASED ON LOAD CARRYING CAPACITY OF TOP & BOT. CHORDS, GABLE TRUSSES ARE CAPABLE OF 8'-0" MAX. SPAN w/o UNDERLYING WALL SUPPORT.



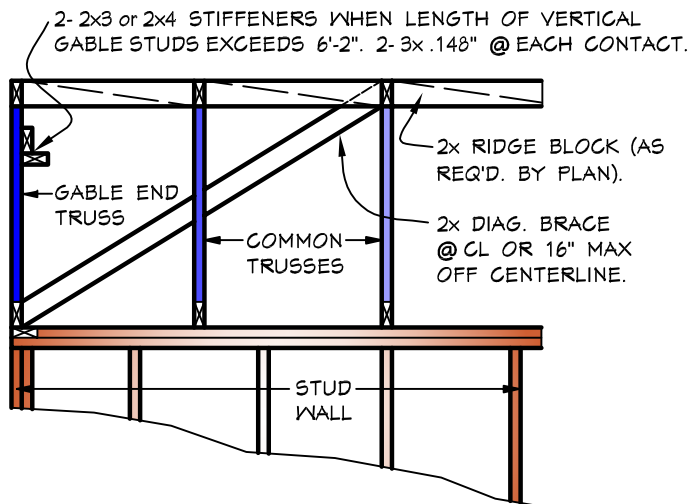
NON-STRUCT. GABLE OUTRIGGER



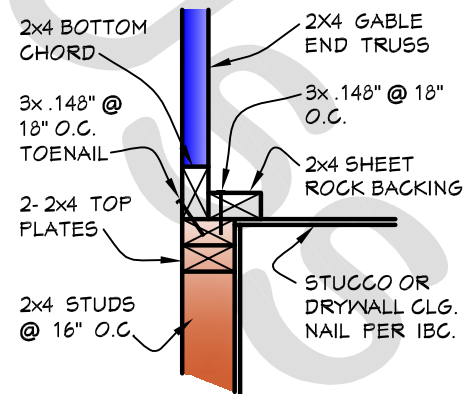
STRUCTURAL FILL - IN TRUSS



STRUCTURAL GABLE OUTRIGGER



GABLE BRACING



GABLE - WALL CONNECTION